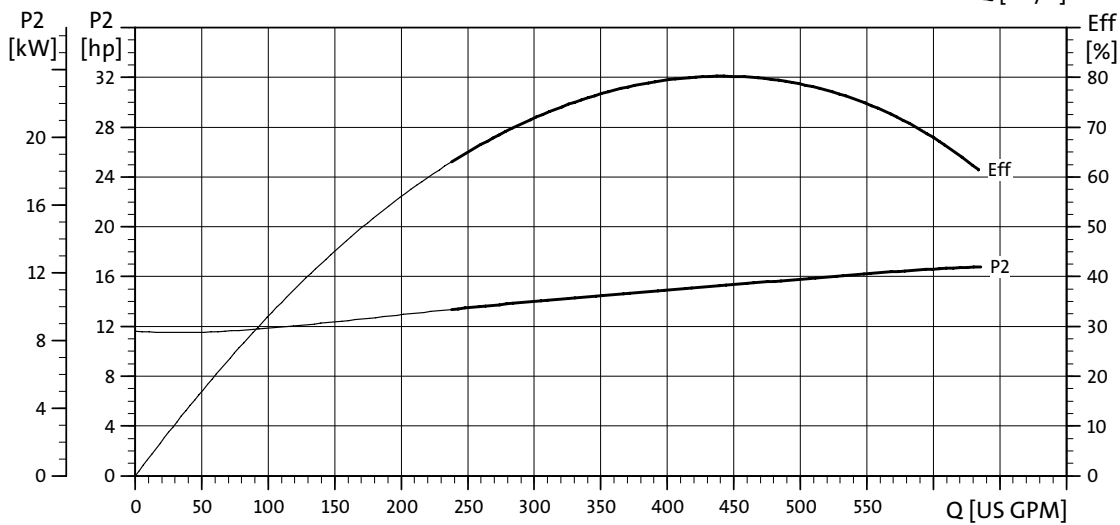
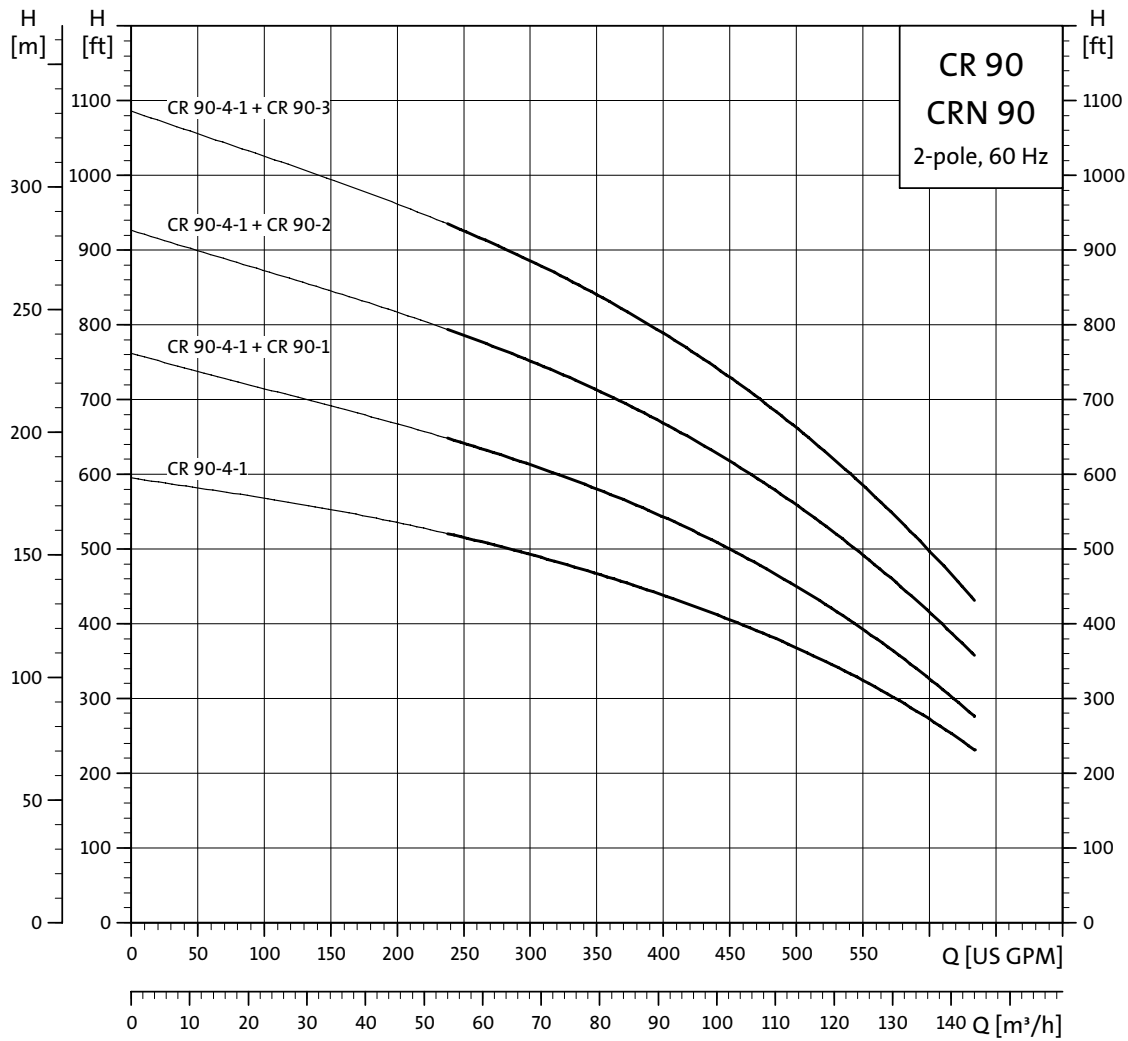
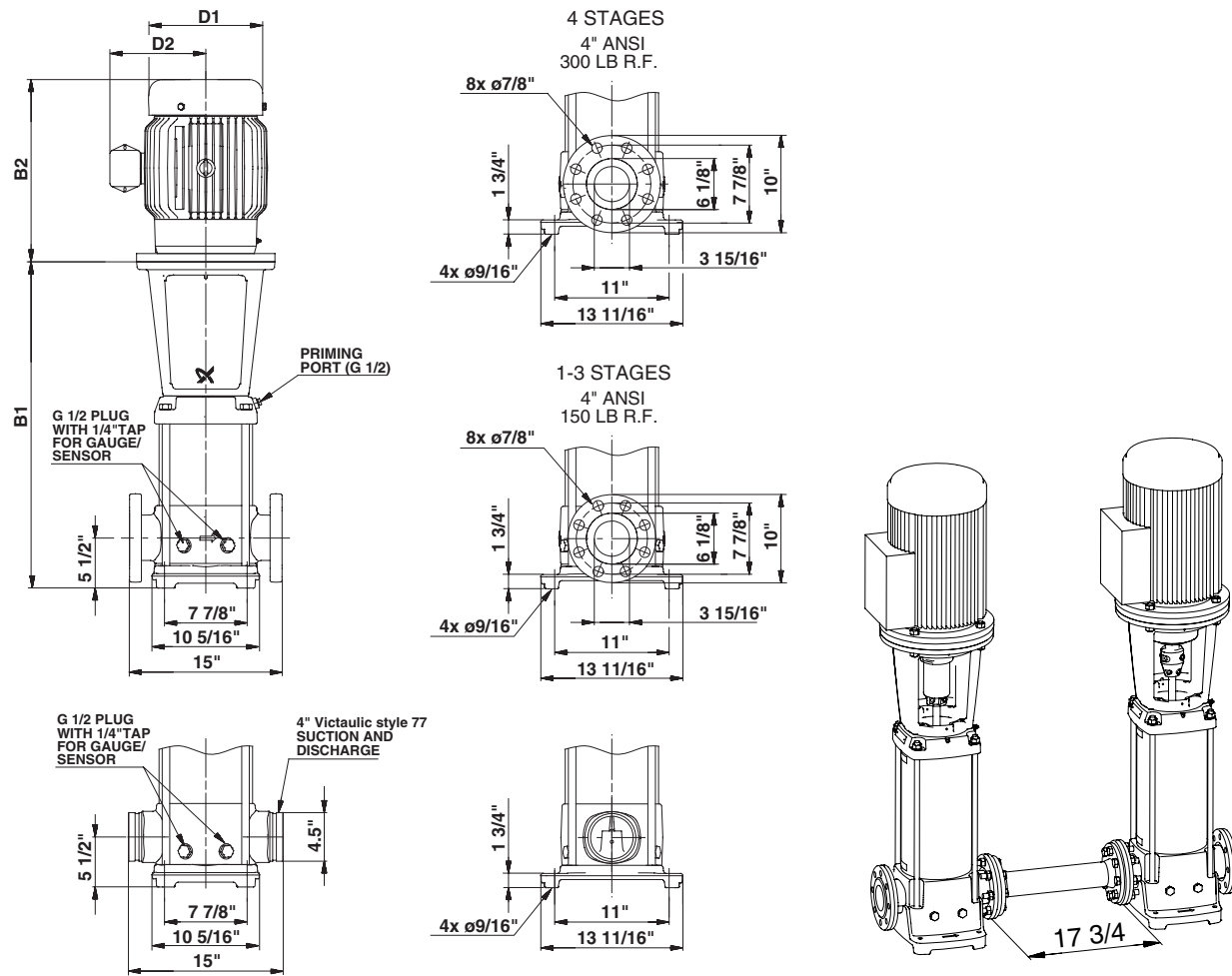


## CR, CRN 90



TM02 8320 2406

## Dimensional sketches



CR, CRN feed pump/CR, CRN high-pressure pump

CR, CRN feed pump, connecting pipe and CR, CRN high-pressure pump

TM03 4287 1906 q- TM03 3414 0306

## Dimensions and weights

Pump type	P2 [hp]	Dimensions [in]							Ship weight [lbs]	
		Victaulic B1	ANSI B1	B2	Victaulic B1 + B2	ANSI B1 + B2	D1	D2	Victaulic	ANSI
CR, CRN 90-1	15	26 7/8	26 7/8	16 5/8	43 1/2	43 1/2	10 3/8	8 3/4	379	395
CR, CRN 90-2	40	30 1/2	30 1/2	23	53 1/2	53 1/2	15 3/8	13 1/8	575	591
CR, CRN 90-3	50	34 1/8	34 1/8	27 5/8	61 3/4	61 3/4	17	14 1/8	770	786
CR, CRN 90-4-1	60	37 3/4	37 3/4	30 5/8	68 3/8	68 3/8	19	15	783	810