



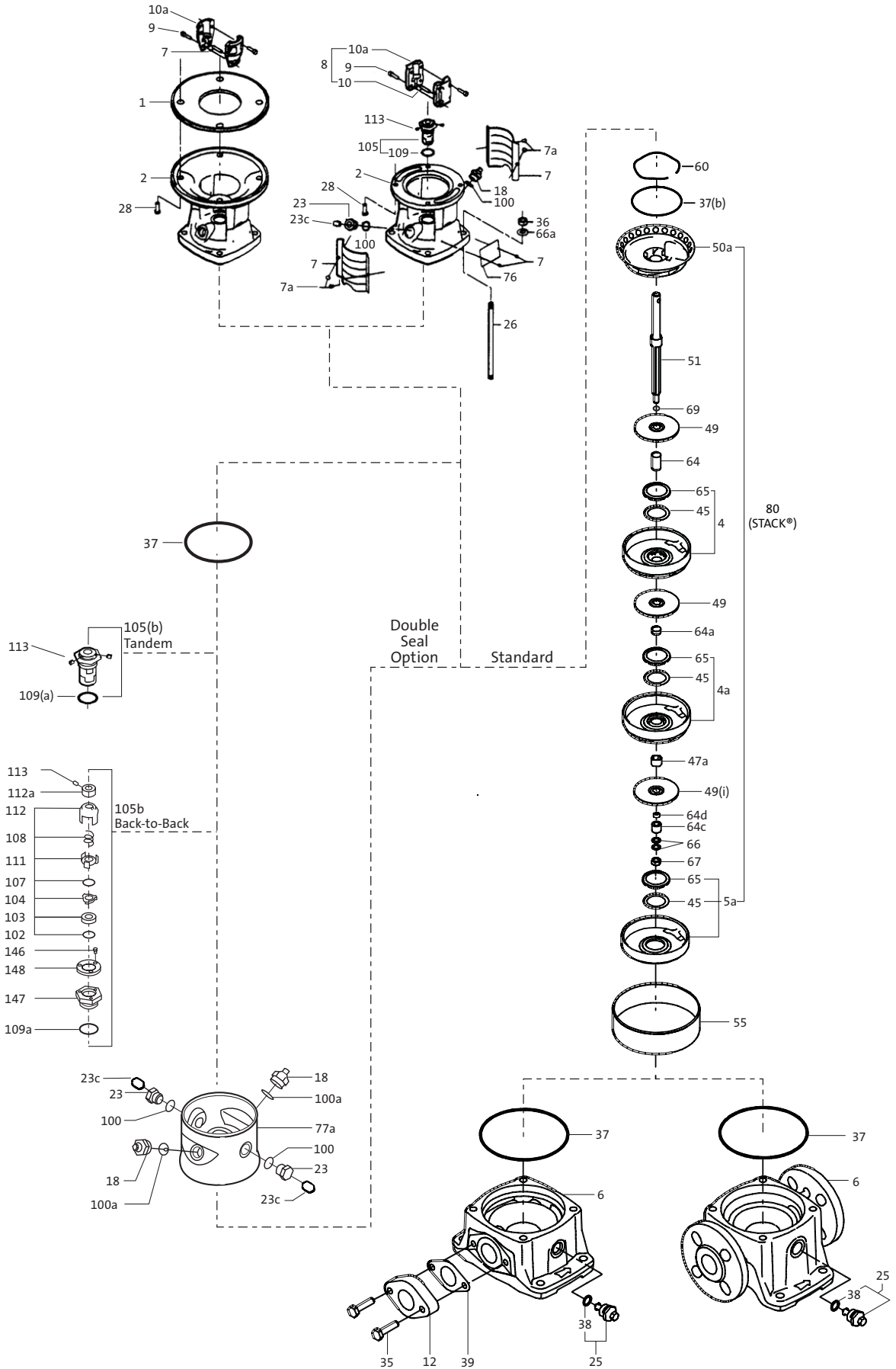
CR5

Parts List & Kits

Contents

Parts List
Spare Part Kits
Accessories
Special Tools
Standard Tools
Tools for Torques

Exploded View CR5



Parts List

Pos. No.	Part Description	Model	Stages	No. Used	Comments/Dimensions	Material Number	Included in Kits?
1	Adapter for Motor Stool		18-24	1	For NEMA, 213/215TC, 7.5 - 10HP	96476208	NO
2	Motor Stool		2-8	1	NEMA, 56C, 1/3 - 2HP	96436501	NO
			9-16	1	NEMA, 182/184TC, 3 - 5HP	96436502	NO
			18-24	1	Add Pos. 1, NEMA, 213TC, 7.5 - 10HP	96436502	NO
			2-4	1	IEC, F85, MG 71, .37 - .55kW	96436495	NO
			5-8	1	IEC, F100, MG 80, .75 - 1.1kW	96436496	NO
			9-16	1	IEC, F115, MG 90, 1.5 - 2.2kW	96436499	NO
			18-29	1	IEC, F130, MG 100/112, 3.0 - 4.0 kW	96436500	NO
			32-36	1	IEC, F265, MG132, 5.5 - 7.5kW	96436505	NO
4	Chamber, Complete with Pos.45 & 65		2-36	^^^	PTFE Pos.45	96437517	NO
4a	Chamber Cpl. w/Pos.45 & 65 & Bearing		2-36	^^^^	Silicon Carbide Brg, PTFE Pos.45	96437636	Yes
	Chamber Cpl. w/Pos.45 & 65 & Brg. (option)		2-36	^^^^	Bronze Bearing, PTFE Pos.45	96440616	Yes
	Chamber Cpl. w/Pos.45 & 65 & Brg. (option)		2-36	^^^^	Graflon Bearing, PTFE Pos.45	96440619	Yes
5a	Chamber, Bottom Complete with Pos.45 & 65		2-36	1	PTFE Pos.45	96437737	NO
5a	Cmb. Btm. Cpl. w/Pos.45 & 65, (Low NPSH opt.)		2-36	2	PTFE Pos.45	96462144	NO
6	Base		2-17	1	Oval (max 232 PSI)	96436516	NO
			2-36	1	JIS, FGJ, ANSI (Max 362 PSI)	96442012	NO
7	Coupling Guard			2	IEC, F85-F100	96438136	NO
				2	NEMA-56C, IEC-F115,130, & 265	96438137	NO
				2	NEMA, 182-215TC	96438138	NO
7a	Screw for Coupling Guard		2-36	4	M4 x 8mm	96488481	NO
9	Allen Screw		2-8	4	M6 x 20mm, Delta Seal	00ID7899	Yes
			9-16	4	M8 x 25mm, Delta Seal	00ID7900	Yes
			18-24	4	M10 x 25mm, Delta Seal	00ID7901	Yes
10	Shaft Pin		2-36	1	ø5 x 26mm	310192	Yes
10a	Coupling Half		2-8	2	NEMA, 56C, 1/3 - 2HP. ø15.8 / ø12	410108	Yes
			9-16	2	NEMA, 182/184TC, 3-5HP. ø28.5/ø12	410109	Yes
			18-24	2	NEMA, 213TC, 7.5-10HP. ø34.9/ø12	96472175	Yes
			2-4	2	IEC, F85, MG71, .37-.55kW. ø14/ø12	410041	Yes
			5-8	2	IEC, F100, MG80, .75-1.1kW. ø19/ø12	410043	Yes
			9-16	2	IEC, F115, MG 90, 1.5-2.2kW. ø24/ø12	410045	Yes
			18-29	2	IEC, F130, MG100/112, 3-4 kW. ø28/ø12	410047	Yes
			32-36	2	IEC, F265, MG132, 5.5-7.5kW. ø38/ø12	410115	Yes
12	Oval Flange		2-16	2	Painted CI, 1.25" -11.5 NPT (max 232 PSI)	96468335	Yes
			2-22	2	Painted CI, RP 1.25" BSP DIN (max 232 PSI)	400174	NO
18	Priming/Vent Plug		2-36	*	G 1/2A, NV24 with NV9 x M8 stem	405150	NO
23	Plug		2-36	**	G 1/2A, w/1/4" port, NV24	91120659	NO
	Plug (option)		2-36	**	G 1/2A, Solid no port, NV24	370025	NO
23c	Pipe Plug for Pos.23 & 25 with hollow stem		3/2-36	**	1/4" NPT, S5 SQHD	00ID7216	NO
25	Drain/Priming Plug Cpl. with O-rings		3/2-36	1	G 1/2A, NV24 w/NV9 x M8 stem, EPDM	96440608	NO
			3/2-36	1	G 1/2A, NV24 w/NV9 x M8 stem, FKM	96440609	NO
	Drain/Priming Plug Cpl. with O-rings (option)		3/2-36	1	G 1/2A, NV24 w/NV9 x M8 stem, FFKM	96486530	NO
	Dr./Pr. Plug Cpl. for gauge, w/O-rings (option)		3/2-36	1	G 1/2A, NV24 w/NV9 x M8 hollow stem, EPDM	96527046	NO
			3/2-36	1	G 1/2A, NV24 w/NV9 x M8 hollow stem, FKM	96527047	NO
			3/2-36	1	G 1/2A, NV24 w/NV9 x M8 hollow stem, FFKM	96527049	NO
26	Staybolt		2	4	M12 x 79mm	404002	NO
			3	4	M12 x 103mm	96442750	NO
			4	4	M12 x 133mm	404005	NO
			5	4	M12 x 157mm	96442751	NO
			6	4	M12 x 187mm	404008	NO
			7	4	M12 x 211mm	96442752	NO
			8	4	M12 x 241mm	404011	NO
			9	4	M12 x 265mm	96442753	NO
			10	4	M12 x 294mm	96442754	NO
			11	4	M12 x 319mm	96442756	NO
			12	4	M12 x 349mm	404017	NO
			13	4	M12 x 373mm	96442761	NO
			14	4	M12 x 402mm	96442762	NO
			15	4	M12 x 427mm	96442763	NO
			16	4	M12 x 454mm	96442764	NO
			18	4	M12 x 511mm	404026	NO
			20	4	M12 x 562mm	96442766	NO
			22	4	M12 x 618mm	96442767	NO
			24	4	M12 x 670mm	96442768	NO
			26	4	M12 x 724mm (50Hz.)	96442769	NO
			29	4	M12 x 805mm (50Hz.)	96442770	NO
			32	4	M12 x 886mm (50Hz.)	96442771	NO
			36	4	M12 x 994mm (50Hz.)	96442772	NO
26	Staybolt (Back-to-Back & Tandem Seal option)		2	4	M12 x 187mm	404008	NO
			3	4	M12 x 211mm	96442752	NO
			4	4	M12 x 241mm	404011	NO
			5	4	M12 x 265mm	96442753	NO

Due to part changes over time, all position numbers (1-203) may not be used.

This column indicates which pump model uses the spare part. If blank, the part is used in all models.

Parts List & Kits CR5

Parts List

Pos. No.	Part Description	Model	Stages	No. Used	Comments/Dimensions	Material Number	Included in Kits?		
26	Staybolt (Back-to-Back & Tandem Seal option)		6	4	M12 x 294mm	96442754	NO		
			7	4	M12 x 319mm	96442756	NO		
			8	4	M12 x 340mm	414011	NO		
			9	4	M12 x 373mm	96442761	NO		
			10	4	M12 x 402mm	96442762	NO		
			11	4	M12 x 427mm	96442763	NO		
			12	4	M12 x 454mm	96442764	NO		
			13	4	M12 x 481mm	96458439	NO		
			14	4	M12 x 511mm	404026	NO		
			15	4	M12 x 535mm	96458440	NO		
			16	4	M12 x 562mm	96442766	NO		
			18	4	M12 x 618mm	96442767	NO		
			20	4	M12 x 670mm	96442768	NO		
			23	4	M12 x 724mm	96442769	NO		
			24	4	M12 x 778mm	96458444	NO		
			26	4	M12 x 832mm (50Hz.)	96458445	NO		
			29	4	M12 x 913mm (50Hz.)	96458449	NO		
			32	4	M12 x 994mm (50Hz.)	96442772	NO		
			36	4	M12 x 1102mm (50Hz.)	96458454	NO		
		28	Motor Bolt		2-8	4	NEMA, 56C, 1/3 - 2HP. UNC 3/8" x 25mm	00ID1839	NO
					9-16	4	NEMA, 182/184TC, 3 - 5HP.UNC1/2" x 25mm	00ID1840	NO
					18-24	4	NEMA, 213TC, 7.5 -10HP. UNC 1/2" x 1.25"	91128631	NO
					2-4	4	IEC, F85, MG71, .37-.55kW. M6 x 20mm	00ID8022	NO
					5-8	4	IEC, F100, MG80, 75-1.1kW. M6 x 25mm	00ID8023	NO
					9-16	4	IEC, F115, MG 90, 1.5-2.2kW. M8 x 20mm	00ID8024	NO
					18-29	4	IEC, F130, MG100/112, 3-4 kW. M8 x 25mm	00ID8025	NO
	32-36			4	IEC, F265, MG132, 5.5-7.5kW. M12 x 45mm	00ID7914	NO		
	35			4	M10 x 40mm, Delta Seal	00ID8027	Yes		
	36			4	19mm x M12, Delta Seal	00ID7917	NO		
37	Sleeve O-ring	2-36	◆◆	EPDM, ø137.5 x 3.3mm	96438743	Yes			
		2-36	◆◆	FKM, ø137.5 x 3.3mm	96438744	Yes			
37b	Sleeve O-ring (option)	2-36	◆◆	FKM, ø137.5 x 3.3mm	96458109	Yes			
	Sleeve O-ring (option)	2-36	◆◆	FFKM, ø136.12 x 3.53mm	96466718	Yes			
38	Drain Plug O-ring	2-36	1	EPDM, ø16.3 x 2.4mm	00ID1288	Yes			
		2-36	1	FKM, ø16.3 x 2.4mm	00ID2231	Yes			
	Drain Plug O-ring (option)	2-36	1	FFKM, ø16.3 x 2.4mm	96428162	Yes			
	Drain Plug O-ring (option)	2-36	1	FKM, ø16.3 x 2.4mm	96442869	Yes			
39	Gasket for Oval Flange	3/2-17	2	95 x 55 x ø35 x 2mm, KLINGERSIL C4430	400189	Yes			
45	Neck Ring	2-36	# stgs	ø50.45 x ø35 x .7mm, PTFE	96436720	Yes			
47a	Bearing Ring/Spacer	2-36	^^^^	SiC 150, ø17.37 x ø13.10 x ø10.9 x 13mm	96437488	Yes			
		2-36	^^^^	TC, ø15.92 x ø13.10 x ø10.9 x 11mm	410121	Yes			
49	Impeller	2-36	# stgs-	ø73.0 x ø35.0 x 13.2mm (back-plate 1.0mm)	96437414	NO			
49i	Impeller (Low NPSH option)	3-36	1	ø98.0 x ø52.8 x 17.3mm (back-plate 1.0mm)	96462490	NO			
50a	Top Guide Vane	3-36	1		96457637	NO			
		2/1	1		96478562	NO			
51	Shaft, Complete	2	1	ø12 x 160.5mm	96439607	NO			
		3	1	ø12 x 180.5mm	96440386	NO			
		4	1	ø12 x 214.5mm	96440388	NO			
		5	1	ø12 x 234.5mm	96440389	NO			
		6	1	ø12 x 268.5mm	96440391	NO			
		7	1	ø12 x 288.5mm	96440392	NO			
		8	1	ø12 x 322.5mm	96440394	NO			
		9	1	ø12 x 342.5mm	96440395	NO			
		10	1	ø12 x 376.5mm	96440396	NO			
		11	1	ø12 x 396.5mm	96440397	NO			
		12	1	ø12 x 430.5mm	96440399	NO			
		13	1	ø12 x 450.5mm	96440400	NO			
		14	1	ø12 x 484.5mm	96440401	NO			
		15	1	ø12 x 504.5mm	96440402	NO			
		16	1	ø12 x 538.5mm	96440404	NO			
		18	1	ø12 x 592.5mm	96440406	NO			
		20	1	ø12 x 646.5mm	96440408	NO			
		22	1	ø12 x 700.5mm	96440410	NO			
		24	1	ø12 x 754.5mm	96440411	NO			
		26	1	ø12 x 801.5mm (50Hz.)	96440412	NO			
		29	1	ø12 x 882.5mm (50Hz.)	96440413	NO			
		32	1	ø12 x 963.5mm (50Hz.)	96440414	NO			
		36	1	ø12 x 1071.5mm (50Hz.)	96440415	NO			
51	Shaft, Cpl. (Back-to-Back & Tandem Seal option)	2	1	ø12 x 265.5mm	96457560	NO			
		3	1	ø12 x 285.5mm	96457561	NO			
		4	1	ø12 x 319.5mm	96457563	NO			
		5	1	ø12 x 339.5mm	96457564	NO			

Due to part changes over time, all position numbers (1-203) may not be used.

This column indicates which pump model uses the spare part. If blank, the part is used in all models.

Parts List

Pos. No.	Part Description	Model	Stages	No. Used	Comments/Dimensions	Material Number	Included in Kits?		
51	Shaft, Cpl. (Back-to-Back & Tandem Seal option)		6	1	Ø12 x 373.5mm	96457566	NO		
			7	1	Ø12 x 393.5mm	96457567	NO		
			8	1	Ø12 x 427.5mm	96457569	NO		
			9	1	Ø12 x 447.5mm	96457570	NO		
			10	1	Ø12 x 481.5mm	96457571	NO		
			11	1	Ø12 x 501.5mm	96457572	NO		
			12	1	Ø12 x 535.5mm	96457574	NO		
			13	1	Ø12 x 555.5mm	96457575	NO		
			14	1	Ø12 x 589.5mm	96457576	NO		
			15	1	Ø12 x 609.5mm	96457577	NO		
			16	1	Ø12 x 643.5mm	96457579	NO		
			18	1	Ø12 x 697.5mm	96457581	NO		
			20	1	Ø12 x 751.5mm	96457583	NO		
			22	1	Ø12 x 805.5mm	96457585	NO		
			24	1	Ø12 x 859.5mm	96457586	NO		
			26	1	Ø12 x 906.5mm (50Hz.)	96457587	NO		
			29	1	Ø12 x 987.5mm (50Hz.)	96457588	NO		
			32	1	Ø12 x 1068.5mm (50Hz.)	96457589	NO		
			36	1	Ø12 x 1176.5mm (50Hz.)	96457590	NO		
		55	Outer Sleeve		2	1	Ø138 x 44.6mm	96437865	NO
					3	1	Ø138 x 71.6mm	96440013	NO
					4	1	Ø138 x 98.6mm	96439999	NO
					5	1	Ø138 x 125.6mm	96441512	NO
					6	1	Ø138 x 152.6mm	96440000	NO
					7	1	Ø138 x 179.6mm	96441515	NO
					8	1	Ø138 x 206.6mm	96440001	NO
					9	1	Ø138 x 233.6mm	96441518	NO
					10	1	Ø138 x 260.6mm	96440002	NO
					11	1	Ø138 x 287.6mm	96441519	NO
					12	1	Ø138 x 314.6mm	96440003	NO
					13	1	Ø138 x 341.6mm	96441522	NO
					14	1	Ø138 x 368.6mm	96440004	NO
					15	1	Ø138 x 395.6mm	96441523	NO
					16	1	Ø138 x 422.6mm	96440005	NO
					18	1	Ø138 x 476.6mm	96440006	NO
					20	1	Ø138 x 530.6mm	96440007	NO
	22			1	Ø138 x 584.6mm	96440008	NO		
	24			1	Ø138 x 638.6mm	96439652	NO		
	26			1	Ø138 x 692.6mm (50Hz.)	96440009	NO		
	29			1	Ø138 x 773.6mm (50Hz.)	96440011	NO		
	32			1	Ø138 x 854.6mm (50Hz.)	96440012	NO		
	36			1	Ø138 x 962.6mm (50Hz.)	96439653	NO		
60	Stack Compression Spring				2-36	1	Ø136 x 3.5mm	96439662	NO
64	Spacing Pipe		2-36	^^^	Ø15.85 x Ø12.85 x 26.03mm	410143	NO		
64a	Spacing Pipe		2-36	^^^^	Ø15.85 x Ø12.85 x 13.0mm	96443611	Yes		
	Spacing Pipe (option for Graflon / Brz. 4a)		2-36	^^^^	Use with TC Pos.47a, Ø15 x Ø12.7 x 15.0mm	410142	Yes		
64c	Clamp, Splined		2-36	1	Ø15 x Ø13.10 x Ø10.9 x 13mm	96439668	Yes		
64d	Spacing Pipe		2-36	^^^^	Ø15 x Ø13.10 x Ø10.9 x 4.5mm	96440292	Yes		
64e	Spacing Pipe (Low NPSH option only)		2-36	2	Ø15 x Ø13.10 x Ø10.9 x 10.0mm	430022	NO		
64f	Spacing Pipe (Low NPSH option only)		2-36	1	Ø15 x Ø13.10 x Ø10.9 x 7.3mm	400233	NO		
64g	Spacing Pipe (de-staging option only)		2-36	1	Ø15 x Ø13.10 x Ø10.9 x 27.0mm	410062	NO		
65	Neck Ring Retainer		2-36	# stgs	Ø52.5 x Ø36.7 x 5.3mm	96436722	Yes		
66	Lock Washer Set for Shaft		2-36	1	Ø13.5 x Ø8.2 x 2.6mm	96417297	Yes		
66a	Washer for Staybolt		2-36	4	DIN 125A, Ø24 x Ø13 x 2.5mm, Delta Seal	96430377	NO		
67	Lock Nut for Shaft		2-36	1	13mm x M8	00ID2061	Yes		
69	Spacing Pipe		2-36	⊖	Ø15.85 x 12.85 x 2.0mm	96440295	NO		
69a	Spacing Pipe (de-staging option only)		2/1	1	Ø15.85 x 12.85 x 18.0mm	400258	NO		
76	Nameplate		2-36	1	304SS, 60 x 45mm	96439820	NO		
76a	Rivet for Nameplate		2-36	2	304SS, Ø3 x 5mm	96022882	NO		
77a	Pump Head Cover for Back-to-Back, Tandem Seal		2-36	1	Cast Stainless	96456293	NO		
100	Priming/Vent Plug O-ring		2-36	■	EPDM, Ø16.3 x 2.4mm	00ID1288	Yes		
			2-36	■	FKM, Ø16.3 x 2.4mm	00ID2231	Yes		
			2-36	■	FFKM, Ø16.3 x 2.4mm	96428162	Yes		
100a	Priming/Vent Plug O-ring (option)		2-36	■	FKM, Ø16.3 x 2.4mm	96442869	Yes		
			2-36	■	EPDM, Ø18 x 2.5mm	00ID2041	Yes		
102	O-ring for Pos. 105b Back-to-Back		2-36	1	EPDM, Ø17.86 x 2.62mm	00ID2187	Yes		
			2-36	1	FKM, Ø17.86 x 2.62mm	96440281	NO		
			2-36	1	FKM, Ø17.86 x 2.62mm	96472584	NO		
103	Stationary Seal Ring for 105b Back-to-Back		2-36	1	TC, 12mm	980190	NO		
			2-36	1	SiC, 12mm	980746	Yes		
104	Rotating Seal Ring for 105b Back-to-Back		2-36	1	TC, 12mm	980163	NO		
			2-36	1	SiC, 12mm	980733	Yes		

Due to part changes over time, all position numbers (1-203) may not be used.

This column indicates which pump model uses the spare part. If blank, the part is used in all models.

Parts List & Kits CR5

Parts List

Pos. No.	Part Description	Model	Stages	No. Used	Comments/Dimensions	Material Number	Included in Kits?
105(b)	Shaft Seal HQBE		2-36	***	SiC, Carbon with resin-impregnated, EPDM	96441879	Yes
	Shaft Seal HQBV		2-36	***	SiC, Carbon with resin-impregnated, FKM	96441880	Yes
	Shaft Seal HQBK (option)		2-36	***	SiC, Carbon with resin-impregnated, FFKM	96489537	Yes
	Shaft Seal HQQE		2-36	***	SiC, SiC, EPDM	96441877	Yes
	Shaft Seal HQQV		2-36	***	SiC, SiC, FKM	96441878	Yes
	Shaft Seal HQQF (option)		2-36	***	SiC, SiC, FXM	96472620	Yes
	Shaft Seal HQQK (option)		2-36	***	SiC, SiC, FFKM	96464381	Yes
	Shaft Seal HUBE		2-36	***	TC, Carbon with resin-impregnated, EPDM	96441873	Yes
	Shaft Seal HUBV		2-36	***	TC, Carbon with resin-impregnated, FKM	96441874	Yes
	Shaft Seal HUBF (option)		2-36	***	TC, Carbon with resin-impregnated, FXM	96481464	Yes
	Shaft Seal HUBF (option)		2-36	***	TC, Carbon with resin-impregnated, FFKM	96481463	Yes
	Shaft Seal HUUE		2-36	***	TC, TC, EPDM	96441875	Yes
	Shaft Seal HUUV		2-36	***	TC, TC, FKM	96441876	Yes
	Shaft Seal HUUF (option)		2-36	***	TC, TC, FXM	96475542	Yes
	Shaft Seal HUUK (option)		2-36	***	TC, TC, FFKM	96467885	Yes
105b	Shaft Seal/inboard for Back-to-Back OQOE		2-36	1	SiC, SiC, EPDM	985200	Yes
	Shaft Seal/inboard for Back-to-Back OQQV		2-36	1	SiC, SiC, FKM	985760	Yes
	Shaft Seal/inboard for Back-to-Back OUUE		2-36	1	TC, TC, EPDM	985189	NO
	Shaft Seal/inboard for Back-to-Back OUUV		2-36	1	TC, TC, FKM	985190	NO
107	O-ring for Pos. 105b Back-to-Back		2-36	1	EPDM, ø11.5 x 4.3mm	00ID2040	Yes
	O-ring for Pos. 105b Back-to-Back (option)		2-36	1	FKM, ø11.5 x 4.3mm	00ID2186	Yes
	O-ring for Pos. 105b Back-to-Back (option)		2-36	1	FFKM, ø11.5 x 4.3mm	96440282	NO
	O-ring for Pos. 105b Back-to-Back (option)		2-36	1	FXM, ø11.5 x 3.18mm	96472618	NO
108	Spring for Pos. 105b Back-to-Back		2-36	1	12mm	980195	Yes
109(a)	O-ring for Shaft Seal Pos. 105		2-36	1	EPDM, ø21.3 x 3.0mm	00ID1798	Yes
	O-ring for Shaft Seal Pos. 105 (option)		2-36	1	FKM, ø21.2 x 3.0mm	00ID2339	Yes
109b	O-ring for Shaft Seal Pos. 105 (option)		2-36	1	FXM, ø22 x 2.75mm	96458111	Yes
	O-ring for Shaft Seal Pos. 105 (option)		2-36	1	FFKM, ø23.47 x 2.62mm	96464384	Yes
111	Seal Driver (small) for Pos. 105b Back-to-Back		2-36	1		980192	Yes
112	Seal Driver (large) for Pos. 105b Back-to-Back		2-36	1		980191	Yes
112a	Seal Drv threaded for 112, Pos. 105b Back-to-Back		2-36	1		400203	Yes
113	Set Screw for 112a, for Pos. 105b Back-to-Back		2-36	1	3mm x M5 x 6mm	00ID7392	Yes
146	Allen Bolt for 147/148, for Pos. 105b Back-to-Back		2-36	1	2.5mm x M3 x 5mm	96462639	Yes
147	Stationary Seal Retainer - Pos. 105b Back-to-Back		2-36	1	NV36, 316SS	96457354	NO
148	Seal Retainer Washer - Pos. 105b Back-to-Back		2-36	1	316SS, ø36.0 x ø21.6 x 5.0mm	96457355	NO

Due to part changes over time, all position numbers (1-203) may not be used.

This column indicates which pump model uses the spare part. If blank, the part is used in all models.

NOTES:

- ^^^ 2 to 7 stage= # of Stages less 2
- 8 to 12 stage= # of stages less 3
- 13 to 16 stage = # of stages less 4
- 18 to 22 stage = # of stages less 5
- 24 to 26 stage = # of stages less 6
- 29 to 32 stage = # of stages less 7
- 36 stage = # of stages less 8
- Exception to the above: Low NPSH model less 1 additional.
- ^^^^ 2 to 7 stage= use 1
- 8 to 12 stage= use 2
- 13 to 16 stage = use 3
- 18 to 22 stage = use 4
- 24 to 26 stage= use 5
- 29 to 32 stage= use 6
- 36 stage= use 7
- ^^^^^ 1 used only in pumps with the following amount of stages
2, 4, 6, 8, 10, 12, 14, 16, 20, 22, &24.
- * Standard use 1. Back-to-Back or Tandem pump version use 3
- ** Standard use 1. Back-to-Back or Tandem pump version use 3
- *** 1 used in Hxxx (Standard), 2 used in Pxxx (Tandem) pump version
- ⊖ Standard use 1. CR(I,N)5-2/1 replace with pos.69a
- # stgs- Use the number of stages in standard models, less one in de-staged and Low NPSH models.
- ◆◆ Standard use 2. Back-to-Back or Tandem pump version use 3
- Standard use 2. Back-to-Back or Tandem pump version use 6

Key to Symbols

- KITS** Recommended spare part
- ∅ Diameter
- ANSI American National Standards Institute
- CPL Complete Assembly – these parts consist of more than one component
- EPDM Ethylene Propylene (also known as EPR and EPT) – an elastic substance similar to rubber
- FFKM Kalrez Elastomer made by DuPont
- FKM Fluoro Elastomer (generic for Viton)
- FXM Fluoraz Elastomer made by Greene Tweed
- M International standard thread size designation (thread diameter in mm)
- mm Millimeter
- MG Identifies Grundfos motor type/size
- N Stainless
- NBR Buna - N (also known as Nitrile) – an elastic substance similar to rubber
- NEMA National Electrical Manufacturers Association
- NPSH Net Positive Suction Head
- PTFE Teflon
- SiC Silicon Carbide
- TC Tungsten Carbide
- UNC Unified National Coarse – a standard for threads on bolts

Spare Part Kits

Since certain pump parts can be expected to exhibit wear at the same time as related pump parts, they have been grouped into the following kits for your convenience. The numbers indicate the quantity of the part within each kit. Please order these kits using the kit material number at the top of the columns.

CR(I, N)5 SiC Bearing		Kit No.						
WEAR PARTS KIT 2-7		96455096						
WEAR PARTS KIT 8-12		96455097						
WEAR PARTS KIT 13-16		96455098						
WEAR PARTS KIT 17-22		96455099						
WEAR PARTS KIT 23-26		96455101						
WEAR PARTS KIT 27-36		96455100						
Pos. No.	Description	Material No.	Qty. Included in each Kit					
4a	Chamber N Cpl. w/Pos.45 & 65 & SiC Bearing	96437645	1	2	3	4	5	6
39	Gasket for Oval Flange, 95 x 55 x 0.35 x 2mm	400189	2	2	2	2	2	2
45	Neck Ring, 050.45 x 0.35 x .7mm, PTFE	96436720	6	10	13	18	21	30
47a	Bearing Ring/Spacer, SiC 150, 13mm	96437488	1	2	3	4	5	6
64a	Spacing Pipe, 015.85 x 012.85 x 13.0mm	96443611	1	2	3	4	5	6
64c	Clamp, Splined, 015 x 013.10 x 010.9 x 13mm	96439668	1	1	1	1	1	1
65	Neck Ring Retainer, N, 052.5 x 036.7 x 5.3mm	96436722	6	10	13	18	21	30
66	Lock Washer Set of 2, 013.5 x 08.2 x 2.6mm	96417297	1	1	1	1	1	1
67	Lock Nut, 13mm x M8	00ID2061	1	1	1	1	1	1

STACK KITS	
Model	Material No.
CR, CRI 5-2	96453575
CR, CRI 5-3	96453576
CR, CRI 5-4	96453577
CR, CRI 5-5	96453578
CR, CRI 5-6	96453579
CR, CRI 5-7	96453580
CR, CRI 5-8	96453581
CR, CRI 5-9	96453582
CR, CRI 5-10	96453583
CR, CRI 5-11	96453584
CR, CRI 5-12	96453585
CR, CRI 5-13	96453586
CR, CRI 5-14	96453587
CR, CRI 5-15	96453588
CR, CRI 5-16	96453589
CR, CRI 5-18	96453590
CR, CRI 5-20	96453591
CR, CRI 5-22	96453592
CR, CRI 5-24	96453593
CR, CRI 5-26	96453594
CR, CRI 5-29	96453595
CR, CRI 5-32	96453596
CR, CRI 5-36	96453597

***For 50 Hz operation only.

CR(I, N)5 Graflon Bearing		Kit No.						
WEAR PARTS KIT 2-7		96460141						
WEAR PARTS KIT 8-12		96460142						
WEAR PARTS KIT 13-16		96455113						
WEAR PARTS KIT 17-22		96455114						
WEAR PARTS KIT 23-26		96460143						
WEAR PARTS KIT 27-36		96455115						
Pos. No.	Description	Material No.	Qty. Included in each Kit					
4a	Chamber N Cpl. w/Pos.45 & 65 & Graflon Brg.	96440619	1	2	3	4	5	6
39	Gasket for Oval Flange, 95 x 55 x 0.35 x 2mm	400189	2	2	2	2	2	2
45	Neck Ring, 050.45 x 0.35 x .7mm, PTFE	96436720	6	10	13	18	21	30
47a	Bearing Ring/Spacer, TC, 11.0mm	410121	1	2	3	4	5	6
64a	Spacing Pipe, 015.85 x 012.85 x 15.0mm	00410142	1	2	3	4	5	6
64c	Clamp, Splined, 015 x 013.10 x 010.9 x 13mm	96439668	1	1	1	1	1	1
65	Neck Ring Retainer, N, 052.5 x 036.7 x 5.3mm	96436722	6	10	13	18	21	30
66	Lock Washer Set of 2, 013.5 x 08.2 x 2.6mm	96417297	1	1	1	1	1	1
67	Lock Nut, 13mm x M8	00ID2061	1	1	1	1	1	1

CR(I)5 Bronze Bearing		Kit No.						
WEAR PARTS KIT 2-7		96455103						
WEAR PARTS KIT 8-12		96460106						
WEAR PARTS KIT 13-16		96455107						
WEAR PARTS KIT 17-22		96455108						
WEAR PARTS KIT 23-26		96460107						
WEAR PARTS KIT 27-36		96455109						
Pos. No.	Description	Material No.	Qty. Included in each Kit					
4a	Chamber N Cpl. w/Pos.45 & 65 & Bronze Brg.	96440616	1	2	3	4	5	6
39	Gasket for Oval Flange, 95 x 55 x 0.35 x 2mm	400189	2	2	2	2	2	2
45	Neck Ring, 050.45 x 0.35 x .7mm, PTFE	96436720	6	10	13	18	21	30
47a	Bearing Ring/Spacer, TC, 11.0mm	410121	1	2	3	4	5	6
64a	Spacing Pipe, 015.85 x 012.85 x 15.0mm	00410142	1	2	3	4	5	6
64c	Clamp, Splined, 015 x 013.10 x 010.9 x 13mm	96439668	1	1	1	1	1	1
65	Neck Ring Retainer, N, 052.5 x 036.7 x 5.3mm	96436722	6	10	13	18	21	30
66	Lock Washer Set of 2, 013.5 x 08.2 x 2.6mm	96417297	1	1	1	1	1	1
67	Lock Nut, 13mm x M8	00ID2061	1	1	1	1	1	1

GASKET KIT (EPDM)		Kit No.						
GASKET KIT (FKM)		96455091						
GASKET KIT (FKM)		96463944						
GASKET KIT (FFKM)		96533328						
GASKET KIT (EPDM)-Double Seal option.		96533362						
GASKET KIT (FKM)-Double Seal option.		96533363						
GASKET KIT (FFKM)-Double Seal option.		96533364						
Pos. No.	Description	Material No.	Qty. Included in each Kit					
37	Sleeve O-ring, EPDM, 0137.5 x 3.3mm	96438743	2				3	
	Sleeve O-ring, FKM, 0137.5 x 3.3mm	96438744		2				3
37b	Sleeve O-ring, FFKM, 0137.5 x 3.3mm	96458109			2			
	Sleeve O-ring, FFKM, 0136.12 x 3.53mm	96466718				2		3
38, 100(a)	Drain Plug O-ring, EPDM, 016.3 x 2.4mm	00ID1288	3				7	
	Drain Plug O-ring, FKM, 016.3 x 2.4mm	00ID2231		3				7
38, 100a	Drain Plug O-ring, FFKM, 016.3 x 2.4mm	96442869			3			
	Drain Plug O-ring, FFKM, 016.3 x 2.4mm	96428162				3		7
109(a)	O-ring for Pos.105(b) & 149, EPDM, 021.3 x 3.0mm	00ID1798	1				1	
	O-ring for Pos.105(b) & 149, FKM, 021.2 x 3.0mm	00ID2339		1				1
109b	O-ring for Pos.105(b) & 149, FFKM, 022.0 x 2.75mm	96458111			1			
	O-ring for Pos.105(b) & 149, FFKM, 023.47 x 2.62mm	96464384				1		2

Spare Part Kits CR5

Spare Part Kits (continued)

STANDARD SHAFT SEAL KIT, BALANCED CARTRIDGE		Kit No.	96455088										
(Maximum allowed working PSI is 435)		Kit No.	96455089										
(Tandem Seal option Pumps require 2 of each Seal Kit)		Kit No.	96455086										
Pos. No.	Description	Material No.	Qty. Included in each Kit										
105	HQBE	96441879	1										
	HQBV	96441880		1									
	HQQE	96441877			1								
	HQQV	96441878				1							
	HUBE	96441873					1						
	HUBV	96441874						1					
	HUUE	96441875							1				
	HUUV	96441876								1			1
N/A	Grinding Device Tool for Emery Cloth	370711	1	1	1	1	1	1	1	1	1	1	1
N/A	Emery Cloth	370712	1	1	1	1	1	1	1	1	1	1	1

OPTIONAL SHAFT SEAL KIT, BALANCED CARTRIDGE		Kit No.	96491375										
(Maximum allowed working PSI is 435)		Kit No.	96533327										
(Tandem Seal option Pumps require 2 of each Seal Kit)		Kit No.	96533326										
Pos. No.	Description	Material No.	Qty. Included in each Kit										
105	HQBK	96489537	1										
	HQQF	96472620		1									
	HQQK	96498109			1								
	HUBF	96481464				1							
	HUBK	96481463					1						
	HUUF	96475542						1					
	HUUK	96498108										1	
N/A	Grinding Device Tool for Emery Cloth	370711	1	1	1	1	1	1	1	1	1	1	1
N/A	Emery Cloth	370712	1	1	1	1	1	1	1	1	1	1	1

INBOARD SHAFT SEAL & Gasket KIT, Back to Back OQQE		Kit No.	96533360		
INBOARD SHAFT SEAL & Gasket KIT, Back to Back OQQV		Kit No.	96533361		
(An HQQx seal kit must also be used for a seal repair)		Kit No.	96533361		
Pos. No.	Description	Material No.	Qty. Included in each Kit		
37	Sleeve O-ring, EPDM, $\phi 137.5 \times 3.3\text{mm}$	96438743	3		
	Sleeve O-ring, FKM, $\phi 137.5 \times 3.3\text{mm}$	96438744		3	
38, 100(a)	Drain Plug O-ring, EPDM, $\phi 16.3 \times 2.4\text{mm}$	00ID1288	7		
	Drain Plug O-ring, FKM, $\phi 16.3 \times 2.4\text{mm}$	00ID2231		7	
102	O-ring, EPDM, $\phi 18 \times 2.5\text{mm}$	00ID2041	1		
	O-ring, FKM, $\phi 17.86 \times 2.62\text{mm}$	00ID2187		1	
103	Stationary Seal Ring, SiC, 12mm	980746	1		
104	Rotating Seal Ring, SiC, 12mm	980733	1	1	
107	O-ring, EPDM, $\phi 11.5 \times 4.3\text{mm}$	00ID2040	1		
	O-ring, FKM, $\phi 11.5 \times 4.3\text{mm}$	00ID2186		1	
108	Spring, 12mm	980195	1	1	
109a	O-ring, EPDM, $\phi 21.3 \times 3.0\text{mm}$	00ID1798	1		
	O-ring, FKM, $\phi 21.2 \times 3.0\text{mm}$	00ID2339		1	
111	Driver for pos.104	980192	1	1	
112	Driver for pos.111	980191	1	1	
112a	Driver for pos.112	400203	1	1	
113	Set Screw for pos.112a	00ID7392	2	2	
146	Allen Bolt for pos.147 & 148, 2.5mm x M3 x 5mm	96462639	3	3	

IEC COUPLING KIT		Kit No.	415060										
$\phi 14/\phi 12$		Kit No.	415061										
$\phi 19/\phi 12$		Kit No.	415062										
$\phi 24/\phi 12$		Kit No.	415063										
$\phi 28/\phi 12$		Kit No.	415065										
$\phi 38/\phi 12$		Kit No.	415065										
Pos. No.	Description	Material No.	Qty. Included in each Kit										
9	Allen Screw, M6 x 20mm, Delta Seal	00ID7899	4										
	Allen Screw, M8 x 25mm, Delta Seal	00ID7900		4									
	Allen Screw, M10 x 25mm, Delta Seal	00ID7901			4								4
10	Shaft Pin, $\phi 5 \times 26\text{mm}$, Stainless	310192	1	1	1	1	1	1	1	1	1	1	1
10a	Coupling Half, F85, MG71, .37-.55kW. $\phi 14/\phi 12$	410041	2										
	Coupling Half, F100, MG80, .75-1.1kW. $\phi 19/\phi 12$	410043		2									
	Coupling Half, F115, MG 90, 1.5-2.2kW. $\phi 24/\phi 12$	410045			2								
	Coupling Half, F130, MG100/112, 3-4 kW. $\phi 28/\phi 12$	410047					2						
	Coupling Half, F265, MG132, 5.5-7.5kW. $\phi 38/\phi 12$	410115											2

Spare Part Kits (continued)

NEMA COUPLING KIT					
		$\phi 15.8/\phi 12$	Kit No.	415314	
		$\phi 28.5/\phi 12$	Kit No.	415315	
		$\phi 34.9/\phi 12$	Kit No.	96478700	
Pos. No.	Description	Material No.	Qty. Included in each Kit		
9	Allen Screw, M6 x 20mm, Delta Seal	00ID7899	4		
	Allen Screw, M8 x 25mm, Delta Seal	00ID7900		4	4
	Allen Screw, M10 x 25mm, Delta Seal	00ID7901			
10 10a	Shaft Pin, $\phi 5$ x 26mm, Stainless	310192	1	1	1
	Coupling Half, 56C, 1/3 - 2HP. $\phi 15.8 / \phi 12$	410108	2		
	Coupling Half, 182/184TC, 3-5HP. $\phi 28.5/\phi 12$	410109		2	
	Coupling Half, 213TC, 7.5-10HP. $\phi 34.9/\phi 12$	96472175			2

OVAL FLANGE KIT FOR SMALL CR5				
1-1/4" Threaded Cast Iron (232 PSI Max.)			Kit No.	96474337
Pos. No.	Description	Material No.	Qty. Included in each Kit	
12	Flange, Cast Iron, 1-1/4" - 11.5 NPT	96468335	2	
35	Hex Head Bolt, M10 x 40mm, Delta Seal	00ID8027	4	
39	Gasket, 95 x 55 x $\phi 35$ x 2mm, KLINGERSIL C4430	400189	2	

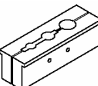
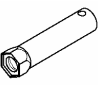
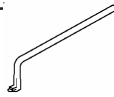

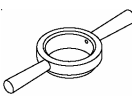
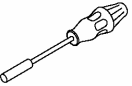
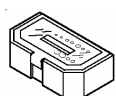

Accessories

ANSI COMPANION FLANGES FOR SMALL CR				
1-1/4" Threaded Cast Iron, 250 Lb. Class			Kit No.	91122260
Pos. No.	Description	Material No.	Qty. Included in each Kit	
N/A	Nut, HEX 5/8"-11 UNC, Grade 2	00ID1510	8	
N/A	Plain Bolt, 5/8" x 2-1/2", Grade 2	00ID1920	8	
N/A	Flange, Cast Iron, 1-1/4"	00ID3650	2	
N/A	Gasket Full Face Flange, 1-1/4", 300#, Cut Ring	400201	2	

Spare Part Kits • Special Tools CR5

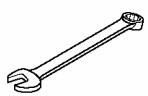
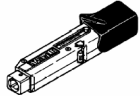





Special Tools

Tools not generally available from normal sources.

Mat. No.	Description and Use	
00SV0040	Shaft Holder for Dismantling/Assembly Used to hold and protect the shaft during dismantling and assembly.	
00SV2007	Tubular Box Spanner for Shaft Seal 36.1 mm Used to install and remove the shaft seal. Fits a 1/2" drive ratchet.	
00SV0239	Puller for Neck Ring Used to remove the Neck Ring from Chamber.	
00SV2014	Circlip Pliers for Flange Lock Ring Used to remove the Lock Ring for the Flange.	
00SV2066	Tool for Outer Sleeve Used to press sleeve into base. (optional)	
00SV2011	Bit Holder Used with Bits Kit, 1/4"	
00SV2010	Bits Kit NV 5 mm for M6, 1/4" NV 6 mm for M8, 1/4" NV 8 mm for M10, 1/4"	
00SV2012	Hexagon Socket Bit Used for Shaft Seal NV 2.5 mm for M5, 1/4"	

Standard Tools

In addition to being available from Grundfos, comparable tools can be purchased through normal sources.

Mat. No.	Description and Use	
	Wrenches Used to tighten various nuts.	
00SV0083	NV 10 mm for M6	
00SV0055	NV 13 mm for M8	
00SV0056	NV 17 mm for M10	
00SV0054	NV 19 mm for M12	
00SV0122	NV 24 mm for M16	
	Torque Wrench Used to torque various screws.	
00SV0292	4-20 Nm, 9 x 12	
00SV0269	20-100 Nm, 9 x 12	
00SV0400	40-200 Nm, 14x18	
	Torque Screwdriver Used to tighten various nuts.	
00SV0438	1-6 Nm, 1/4"	
	Ratchet Spanner for all Adapters 9 mm x 12 mm, 1/2"	
	Socket Spanner with Inside Hex	
00SV0296	NV 5 mm for M6, 1/2" x 1/2"	
00SV0297	NV 6 mm for M8, 1/2" x 1/2"	
00SV0298	NV 8 mm for M10, 1/2" x 1/2"	
	Ring Spanner	
00SV0310	NV 10 mm for M6	
00SV0294	NV 13 mm for M8	
00SV0270	NV 17 mm for M10	
00SV0271	NV 19 mm for M12	
00SV0524	NV 24 mm for M16	
	Socket Spanner	
00SV2013	NV 13 mm for M8, 9 x 12	



L-CR-SM-027 | 5/04
PRINTED IN USA

Subject to alterations.

GRUNDFOS Pumps Corporation
17100 W. 118th Terrace
Olathe, Kansas 66062
Phone: 913.227.3400
Fax: 913.227.3500

www.grundfos.com

GRUNDFOS Canada, Inc.
2941 Brighton Road
Oakville, Ontario L6H 6C9 Canada
Phone: 905.829.9533
Fax: 905.829.9512

Bombas GRUNDFOS de Mexico S.A. de C.V.
Boulevard TLC No. 15
Parque Industrial Stiva Aeropuerto
Apodaca, N.L. Mexico 66600
Phone: 52.81.8144.4000
Fax: 52.81.8144.4010

GRUNDFOS