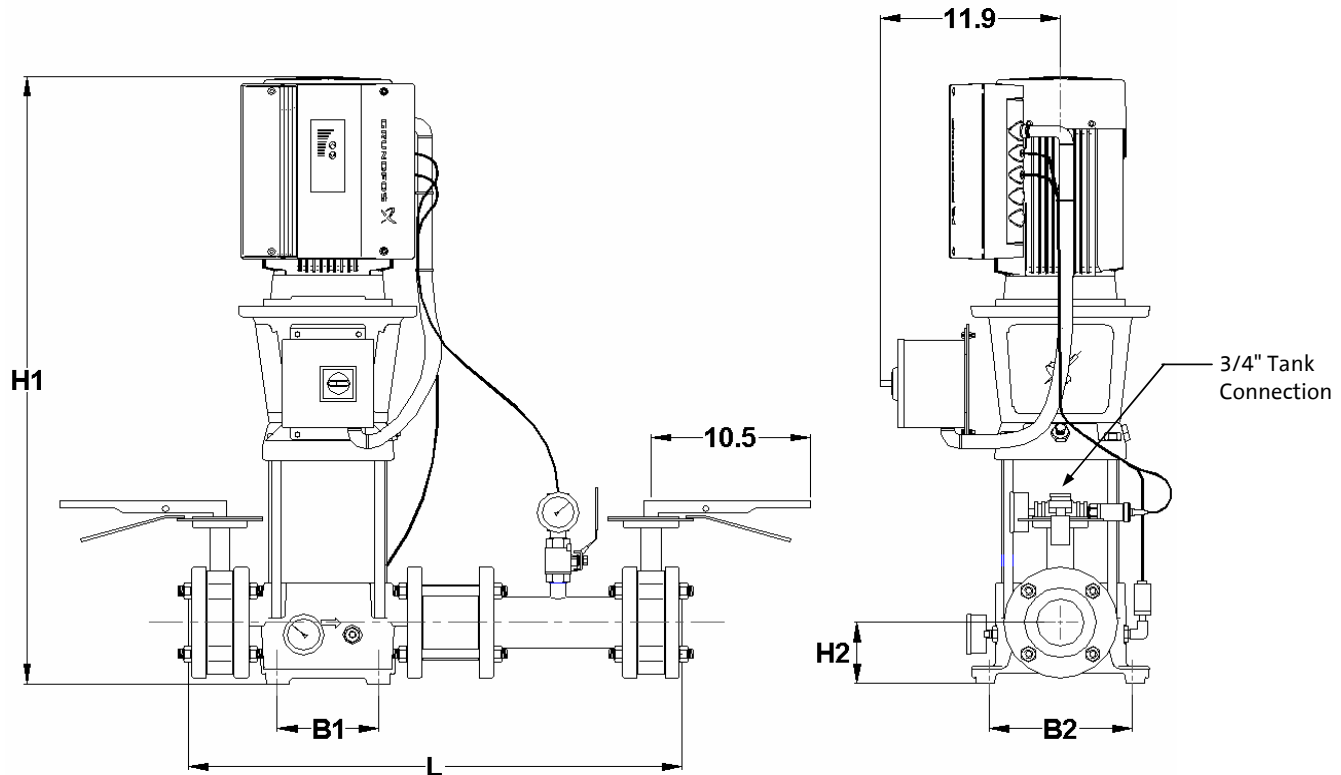


# Technical Data

CRE-Plus CRE32/45/64



## Dimensions and Weights

Pump Type	HP	PH	Volts	Max Amps	B1 (in.)	B2 (in.)	H1 (in.)	H2 (in.)	L (in.)	Pipe Conn.	Ship Wt (lbs)
CRE 32-1-1	3	3	460	4.3	6.7	9.4	33.3	4.1	32.5	3" NPT	276
CRE 32-1	5	3	460	7.0	6.7	9.4	35.5	4.1	32.5	3" NPT	307
CRE 32-2	7 1/2	3	460	10.3	6.7	9.4	38.3	4.1	32.5	3" NPT	351
CRE 32-3-2	10	3	460	13.8	6.7	9.4	41.0	4.1	32.5	3" NPT	382
CRE 45-1	7 1/2	3	460	10.3	7.5	10.5	37.5	5.5	34.3	3" NPT	364
CRE 64-1-1	7 1/2	3	460	10.3	7.5	10.5	37.6	5.5	41.6	4" NPT	388

## Maximum Operating Pressure

232 psi (16 bar)

## Maximum Inlet Pressure

CRE 32-1-1, CRE 32-1	45 psi (3 bar)
CRE 32-2	60 psi (4 bar)
CRE 32-3-2	145 psi (10 bar)
CRE 45-1	60 psi (4 bar)
CRE 64-1-1	60 psi (4 bar)

## Maximum Liquid Temperature

176 °F (80 °C)

## Maximum Ambient Temperature

104 °F (40 °C)

Consult Factory for higher temperatures.  
Operating Pressure may be further limited by type of diaphragm tank installed.

## Construction

Item	Description/Material
CRE Pump	Standard Ductile Iron/304SS CR pump with MLE Motor
Pump Isolation Valves	Butterfly, Lug Style, 316SS Disk, 420SS shaft Epoxy coated cast Iron body, EPDM Seat
Tank Isolation Valve	Nickle Plated Brass, Full Port Ball Valve
Check Valve	Wafer Style, Spring Loaded, 304/316 SS, NBR
Suc/Disch Piping	316SS Schedule 10
Pressure Transducer	4-20 mA Signal, 316SS
Pressure Gauges	Liquid Filled, SS/Brass
Pressure Switch	316SS/Nitrile, 3 psig fixed setpoint, 5 psig reset
Elec. Switch Box	NEMA 3R, Lockable in OFF position
Conduit	Flexible, PVC Jacket

## Related Documents

For performance curves, materials of construction and other information for CRE pumps see the CR, CRE Pump Product Guide.

## Approvals



Packaged Pumping System