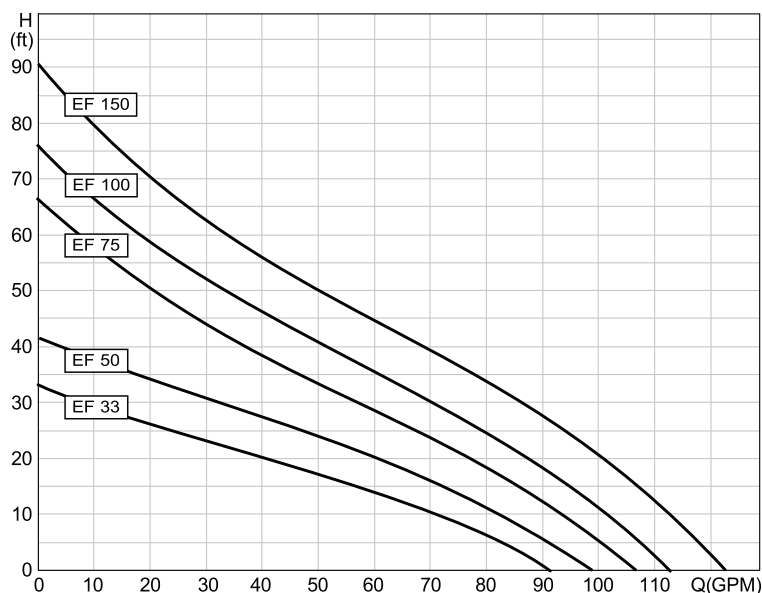




**Performance Curve**



## Electrical Data

Pump Type	HP	Service Factor	PH	Input Voltage	Maximum Power Consumption (Watts)	Maximum Current (Amps)	Locked Rotor Current (Amps)	Nominal Speed (Rpm)
EF33	1/3	1.7	1	115	905	8.4	18	1650
		1.7	1	230	830	3.9	9	1640
EF50	1/2	1.6	1	115	1190	11.5	24	1655
		1.6	1	230	1115	5.4	12	1655
EF75	3/4	1.5	1	230	1690	7.6	23	3390
EF100	1	1.4	1	230	2240	10.1	23	3290
EF150	1-1/2	1.3	1	230	2880	13.1	30	3340

## Technical Data

### Performance Range:

- Flow: 1 - 120 GPM
- Head: 0 - 90 ft.

### Solids Handling:

- 3/4" Spherical Solids

### Motor Type:

- AC Induction
- Permanent Split Capacitor
- Oil Filled, Durasyn<sup>®</sup> 166
- Class F Insulation

### Motor Duty:

- Semi-Continuous if fully submerged
- Max. 8 hours in a 24 hour period

### Starts Per Hour:

- Maximum 20 starts per hour
- Evenly Distributed once every 3 minutes

### Thermal Protection:

- Automatic Reset

### Fluid Temperature Limits: (Totally Submerged)

- 32° - 104°F (0° - 40°C) Semi-Continuous\*
- 32° - 140°F (0° - 60°C) Intermittent

### Discharge Size:

- 2" Female NPT

### Impeller Design:

- Semi-Open

### Maximum Installation Depth Below Water Level:

- 30 ft.

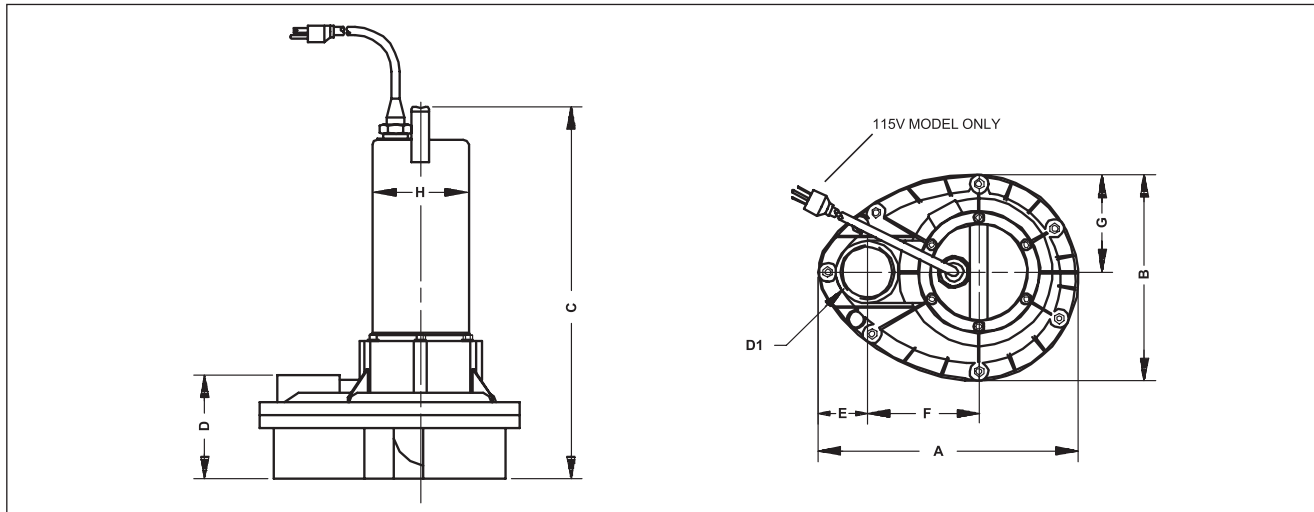
### Approvals:

- cUL and UL

### Length of Power Cord:

- 10 or 20 ft.

Dimensional Drawing



Dimensions and Weights

Pump Type	Motor Data				D1 Discharge NPT	Dimensions (Inches)								Ship Wt. (lbs.)	Ship Vol. (cu. ft.)
	HP	S.F.	PH	Volts		A	B	C	D	E	F	G	H		
EF33	1/3	1.7	1	115/230	2"	11-1/2	8-3/4	15	4-3/8	2-3/16	5	4-3/8	4-1/8	25.5	1.82
EF50	1/2	1.6	1	115/230	2"	11-1/2	8-3/4	16-3/8	4-3/8	2-3/16	5	4-3/8	4-1/8	30	1.82
EF75	3/4	1.5	1	230	2"	11-1/2	8-3/4	16-3/8	4-3/8	2-3/16	5	4-3/8	4-1/8	30	1.82
EF100	1	1.4	1	230	2"	11-1/2	8-3/4	16-3/8	4-3/8	2-3/16	5	4-3/8	4-1/8	33	1.82
EF150	1-1/2	1.3	1	230	2"	11-1/2	8-3/4	16-3/8	4-3/8	2-3/16	5	4-3/8	4-1/8	33	1.82

Materials of Construction

Description	Material
Volute Top	Polypropylene
Volute Bottom	Polypropylene
Motor Housing	316 SS
Impeller	BR111, Semi Open
Shaft	304 SS
Lip Seal & O-rings	NBR
Power Cord Set	3-Prong - Neoprene
Motor Fluid	Durasyn <sup>®</sup> 166 Di-electric Oil
Cable Nut	Ryton
Screw, Phillips	304 SS
Screw, Hilo torx	303 SS
Motor/Pump Shaft	1045 Mild Steel/4301 SS